
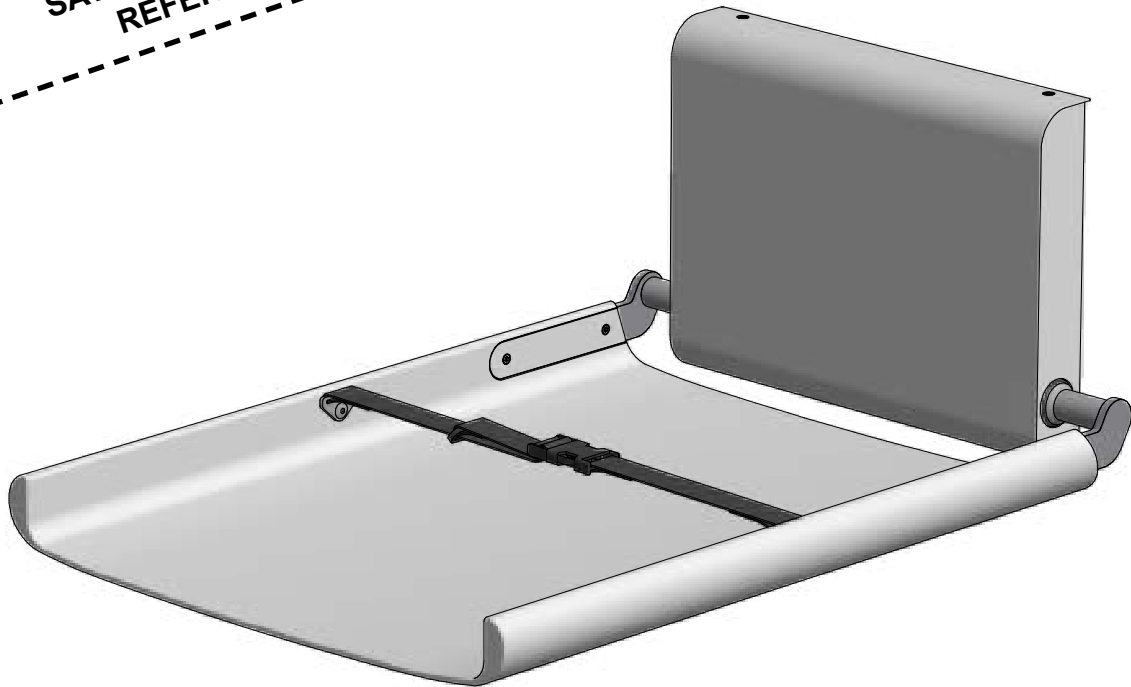


Reference	Version	Document	Lang.	Page	
	27-10-2020	Björk Baby Changing Station User Manual	EN-US	1 of 12	


Björk Baby Changing Station (with safety strap)

Assembly instructions and user manual

**IMPORTANT:
THIS DOCUMENT SHOULD BE
READ THOROUGHLY AND
SAVED FOR FUTURE
REFERENCE**



This product is compliant to the American standard ASTM F2285-04, the European EN 12221-, and meets ADA regulations when installed according to ADA guidelines.

Reference	Version	Document	Lang.	Page	
	27-10-2020	Björk Baby Changing Station User Manual	EN-US	2 of 12	

Contents:

Foreword and general information	2
Intended use	2
Manufacturer's product liability	2
Remarks conc. EN12221	2
Safety and warnings	2
Unpacking and identification of parts	3
Mounting on wall	3
User instructions	6
User instructions (Safety belt)	7
Cleaning instructions	8
Inspection, maintenance and service	8
Fault-finding	8
Spare parts	9
Technical data	10
Declaration of compliance	11

Foreword

Thank you for buying your equipment from DAN DRYER A/S and congratulations on your new baby changing table. Install, use and maintain the unit according to our instructions for a long and satisfactory service life.

General information

The product can only be installed and used in accordance with this guide and our safety instructions. All users of the product must have read and understood this guide. If you have any questions concerning the use or maintenance of your changing table, you are welcome to contact us.

Intended use

The DAN DRYER baby changing station is designed for use in commercial washrooms. It should only be used for changing nappies etc. on small children. Total weight on the table cannot exceed 80 kg.

Manufacturer's product liability

DAN DRYER cannot be held liable if the product is used or installed in any other manner than that stated in this guide.

NB:

The product is designed for use indoors in a dry environment and must NOT be used in damp or high chlorine environments.

Remarks:

This product is fully compliant with the American standard ASTM F2285-04 and the European standard EN 12221-1.

DAN DRYER guarantees this product can carry a load of 80 kg.


Safety precautions

Prior to use: always check:

- total weight will not exceed 80 kg (evenly distributed)
- the product is clean.
- the product is not damaged or in any other way compromised to the extent that using is hazardous.

WARNING!

Never leave a child unsupervised on the table!

Reference	Version	Document	Lang.	Page	
	27-10-2020	Björk Baby Changing Station User Manual	EN-US	3 of 12	

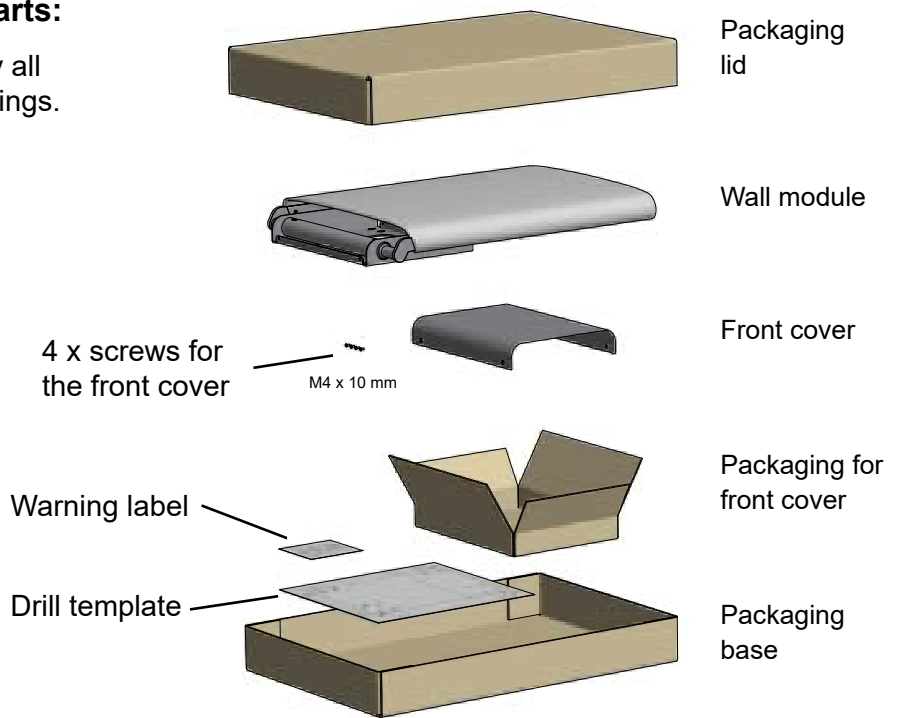
Unpacking and identification of parts:

Unpack the product with care and verify all parts are present according to the drawings.

Tools for assembly::

- Torx key T20 (fitting the front cover)
- Electric drill
- Spirit level

Tools needed for wall-mounting will depend on the screws and plugs used. See the section below.



Mounting on wall:

When choosing position, remember to allow for the depth of the table when lowered, and its height when folded up. Refer to the dimension diagram at the end of this manual.

When choosing where to place the unit, ensure there are no entrapment risks when folding it up or down.

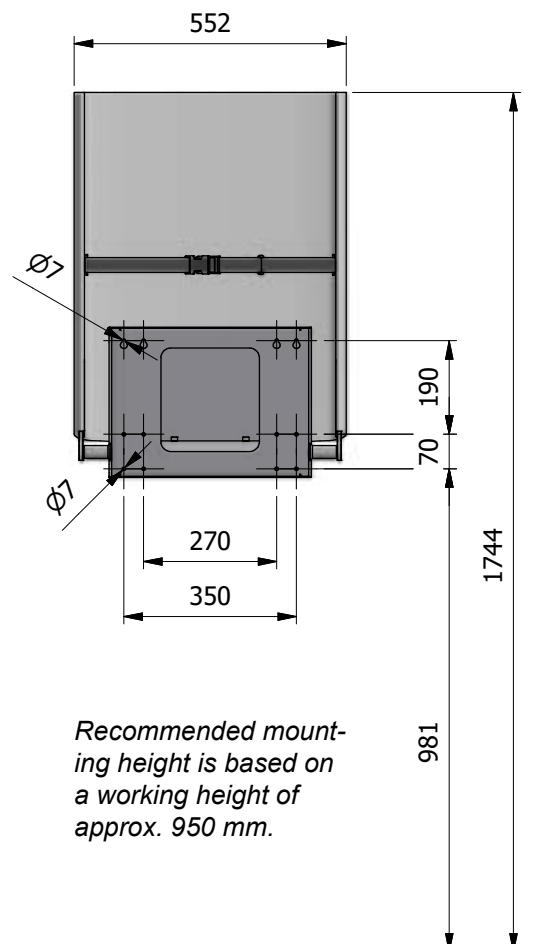
Do not install the product near strong heat sources, e.g. fireplaces, stoves, etc.


Important:

The table may only be mounted to a wall with proper interior blocking to bear the weight of the unit (18 kg) and the maximum load of (80 kg).

Select the correct mounting fasteners for the specific wall type. Consult an expert (e.g. your local builder's merchants) for advice. Screws in the wall bracket are exposed to a force equivalent to 65 kg of pull each at maximum load on the table when 4 screws are used in the upper holes.

We recommend to mount fasteners in all 12 holes to obtain maximum strength and stability.

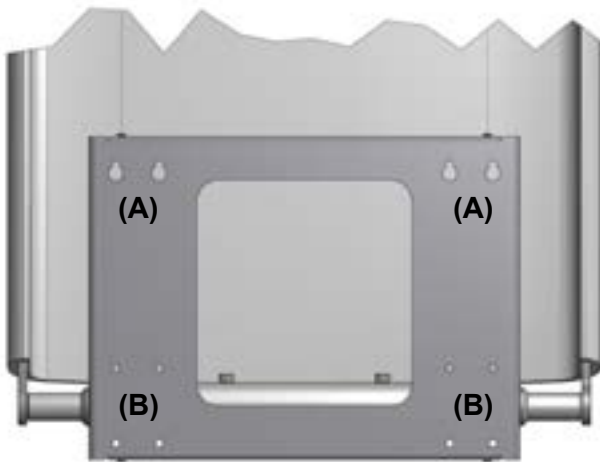
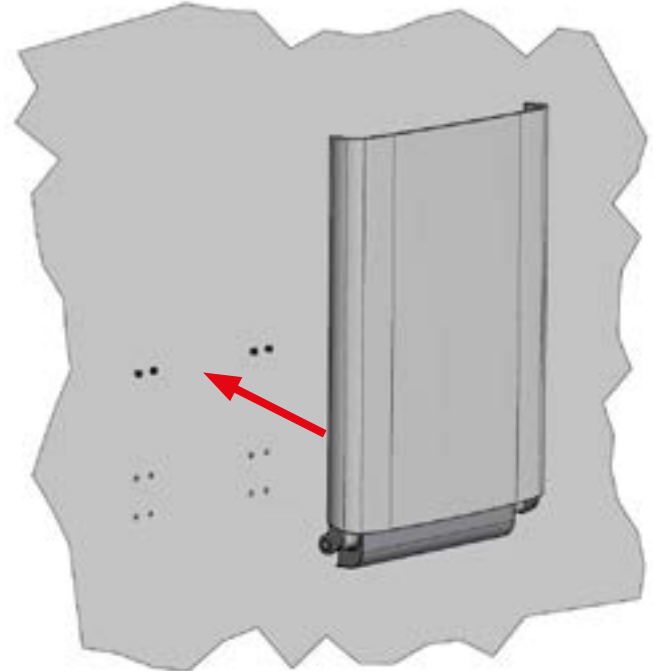


Reference	Version	Document	Lang.	Page	
	27-10-2020	Björk Baby Changing Station User Manual	EN-US	4 of 12	

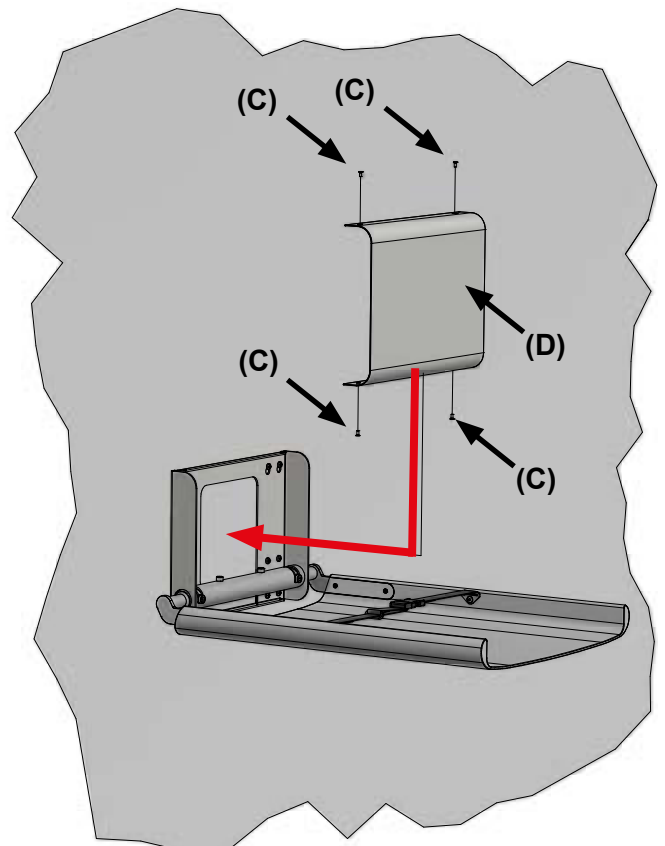
Mounting on wall (contd.)


Mounting:

1. Holes for mounting the wall bracket should be marked up and drilled using the drill template enclosed.
2. Insert wall plugs into the holes.
3. Do not tighten the screws in the four upper plugs too much. Leave 5 mm space from wall surface.
4. Secure the table on to the wall using the keyholes (A) at the top of the wall bracket.



5. Fold the table down carefully, and insert the remaining screws (B) at the bottom of the wall bracket.
6. Fasten all screws (A) and (B) tightly to ensure the wall bracket is securely fixed to the wall.
7. Fit the front cover (D) and fasten it using the 4 M4 x 10 screws supplied (C)
8. Check the table can fold up and remain in the upright position.
9. Finish off by verifying the wall bracket is securely fixed to the wall.

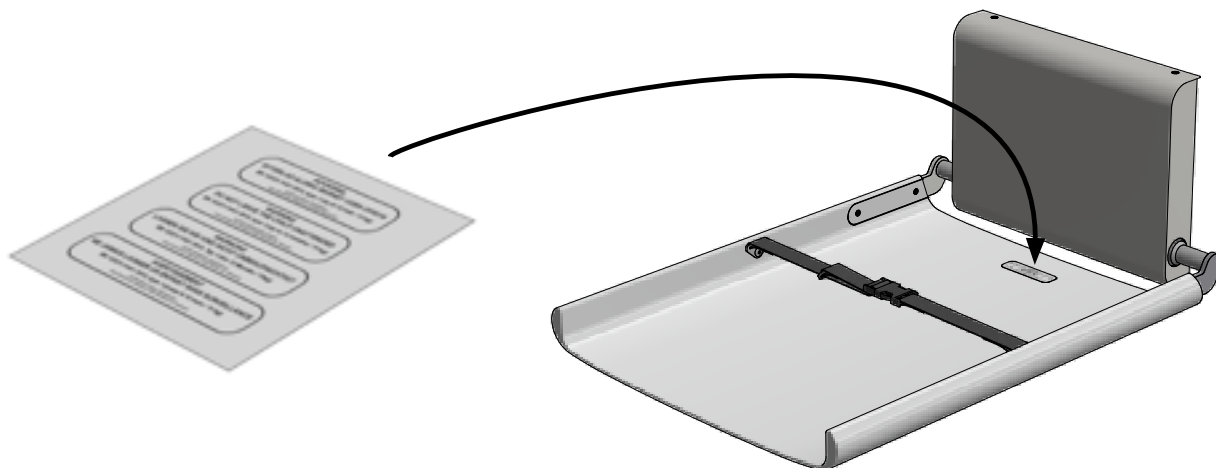



Reference	Version	Document	Lang.	Page	
	27-10-2020	Björk Baby Changing Station User Manual	EN-US	5 of 12	

Mounting on wall (contd.)

10. Determine the appropriate language version and remove label from the sheet.

11. Warning label is placed as shown.



Reference	Version	Document	Lang.	Page	
	27-10-2020	Björk Baby Changing Station User Manual	EN-US	6 of 12	

User instructions

The table can be folded down to a horizontal position by carefully pulling the top edge downwards. Make sure the table is fully extended into its horizontal position before use.

This table is not intended to be used with a mattress. Use a paper towel or the like instead.

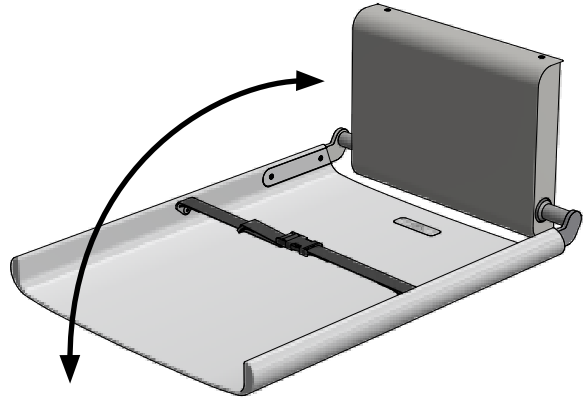
Always check the table surface is clean and undamaged before use.

Do not use if damaged, defective or if not securely fixed to the wall.

Fold the table into its upright position after use by lifting the front edge of the table and carefully raising it to vertical.


NOTE

If the table is folded up very aggressively it may cause damage to the wall.



WARNING!

**Never leave a child unsupervised
on the table!**

Reference	Version	Document	Lang.	Page	
	27-10-2020	Björk Baby Changing Station User Manual	EN-US	7 of 12	

User instructions (Safety belt)

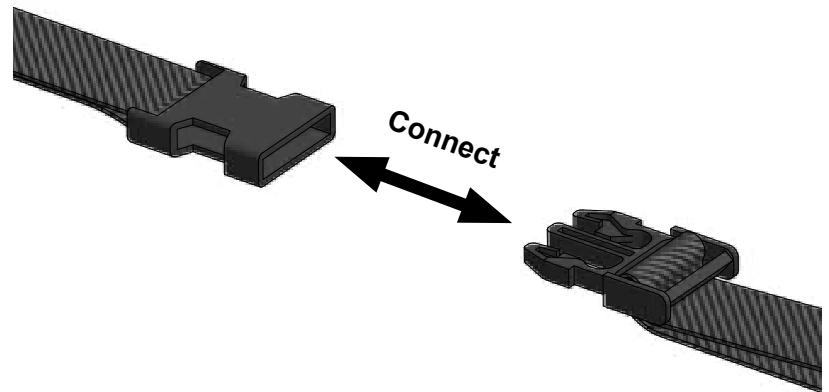
For correct use please follow the instructions.

Securing the belt:

Place the child on the table, and connect the two buckle ends.

To indicate the buckle is secured, a clear click sound is heard.

The belt is now locked and secured.

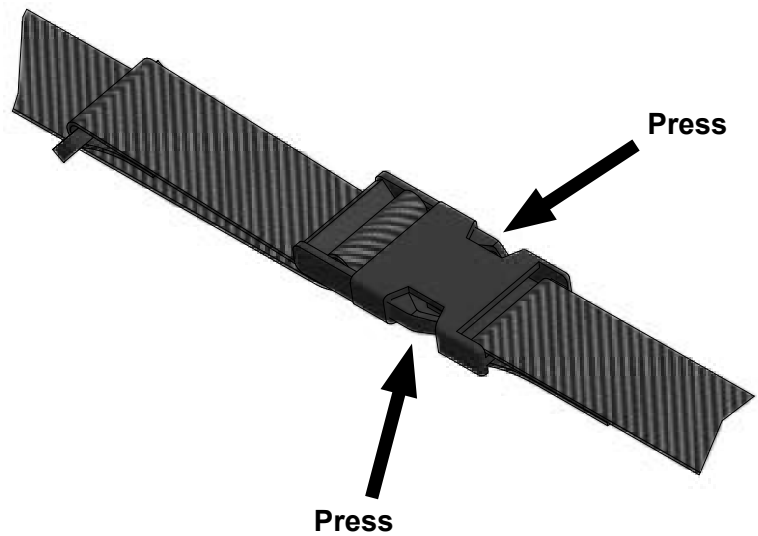


Releasing the belt:

To release the belt, press the two safety taps on each side of the buckle.

Separate the two parts.


The belt is now unlocked.



WARNING!

Never leave a child unsupervised
on the table!



Reference	Version	Document	Lang.	Page	
	27-10-2020	Björk Baby Changing Station User Manual	EN-US	8 of 12	

Cleaning instructions

The table can be cleaned using a damp cloth. Use only neutral, liquid cleaning products that do not contain solvents. Do not hose or high-pressure wash with water or other liquids.

Inspection, maintenance and service


Maintenance and service can only be performed by trained personnel.

We recommend inspecting the table regularly and at least once annually according to the following:

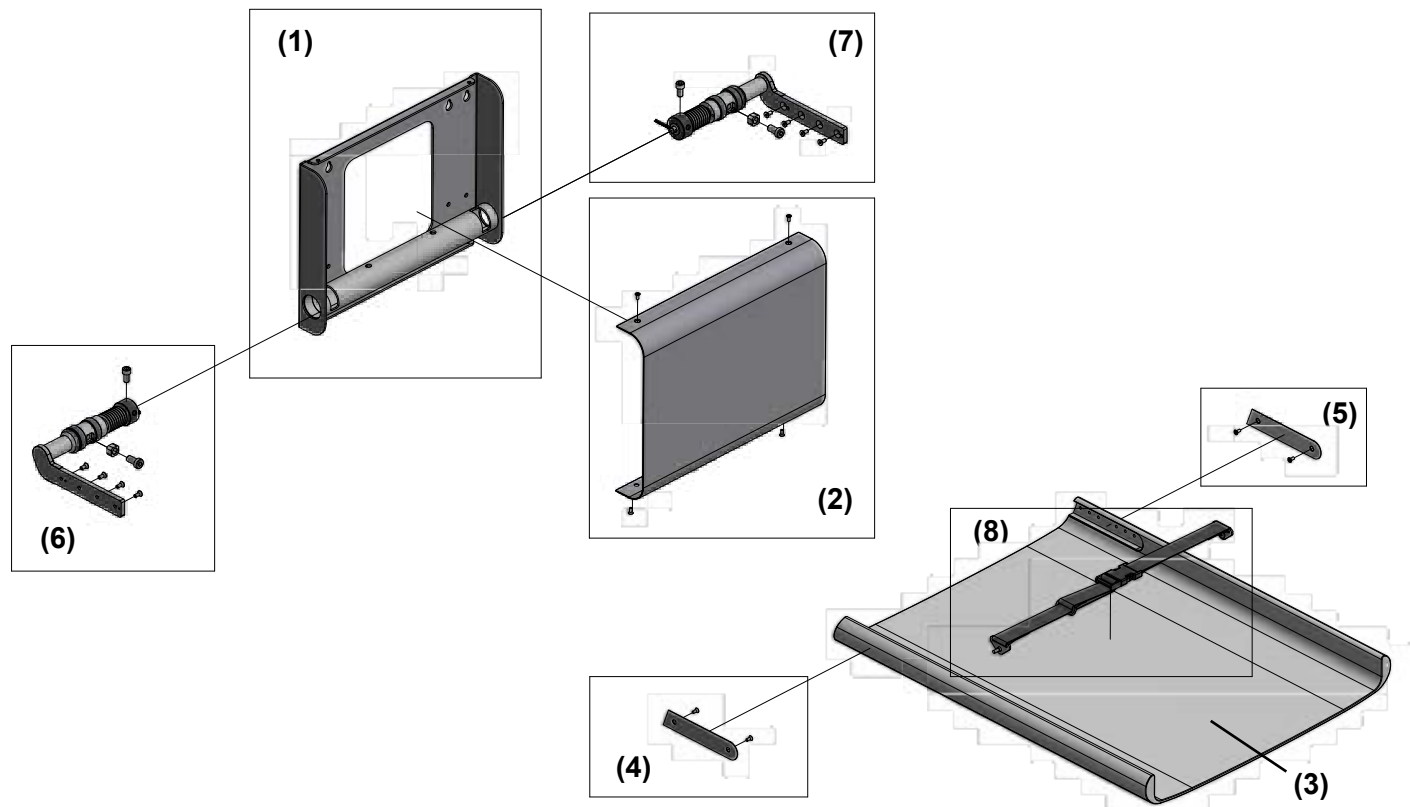
- Check the table is securely fixed to the wall, that all moving parts work correctly and are in a safe condition.
- Check all screwed assemblies are tight.
- Check the table can fold up and remain in the upright position. A force equivalent to approx. 3 kg is normally required to fold down the table.
- Check the table cannot drop beyond horizontal when folded down. Normally, the table will stay in any position when released.
- If the table is defective, it must be repaired and restored to usable condition immediately.

Fault-finding

Problem:	Solution:
The table cannot remain vertical.	<ul style="list-style-type: none"> • The springs are worn and should be replaced immediately. Do not allow use of the table before it is repaired.
The table drops freely to the horizontal when folded down.	<ul style="list-style-type: none"> • The springs are worn and should be replaced immediately. Do not allow use of the table before it is repaired.
The table is not horizontal when folded down.	<ul style="list-style-type: none"> • The table is not securely fixed to the wall. Check mountings and repair immediately. Do not allow use of the table before it is repaired. • More than the maximum permitted weight of 80 kg has been placed on the table, which has been permanently damaged as a result. Do not allow use of the table before it is repaired. Contact DAN DRYER or our dealers.

Reference	Version	Document	Lang.	Page	
	27-10-2020	Björk Baby Changing Station User Manual	EN-US	9 of 12	

Spare parts:




Pos.	Item number	Description
(1)	32002	Wall bracket complete
(2)	32102	Front cover complete (incl. screws)
(3)	32000	Changing surface
(4)	32104	Left cover plate (incl. screws)
(5)	32105	Right cover plate (incl. screws)
(6)	32106	Left rotating arm (complete, incl. all springs, stop, plastic lock and screws)
(7)	32107	Right rotating arm (complete, incl. all springs, stop, plastic lock and screws)
(8)	32058	Safety belt

Use only original accessories and spare parts from DAN DRYER or our dealers.

WARNING!

The table contains sprung elements that can be released under considerable force if dismantled and can cause injury.

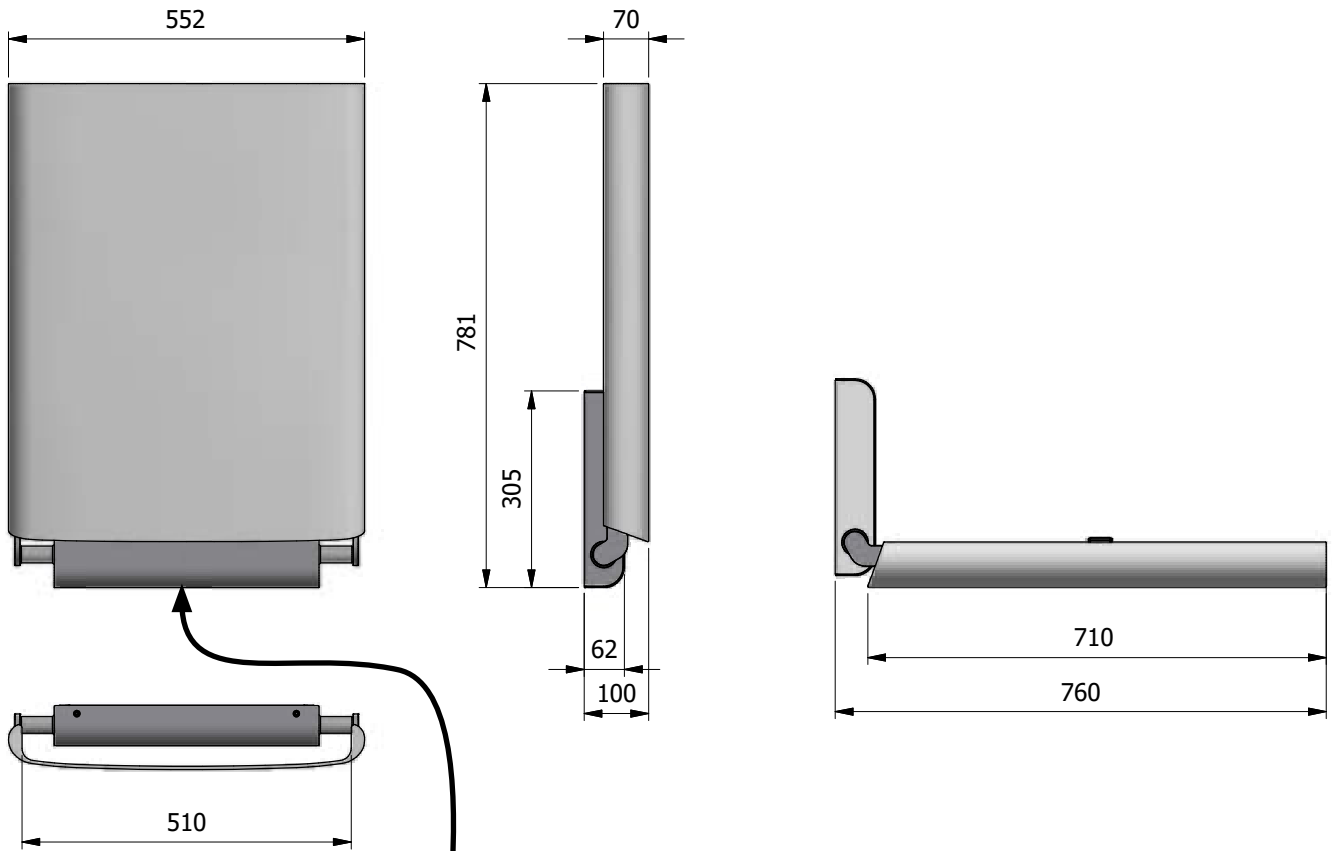
Maintenance and repair that requires dismantling the table can only be performed by trained personnel to ensure safety.

Reference	Version	Document	Lang.	Page	
	27-10-2020	Björk Baby Changing Station User Manual	EN-US	10 of 12	

Technical data:


Force for folding down : ~20 N
 Force for folding up : ~20 N
 Total net weight : approx. 17 kg.
 Max. load at wall : 80 kg. (Evenly distributed across table surface)

Dimensions diagram:



Type plate:

Björk Baby Changing Station. Art no.: 32xx
 Serial no.: 3200xxxxxx Prod.: xx-xxxx
 DAN DRYER A/S +45 86415711 Dandryer.com
 Alsikevej 8, DK-8920 Randers NV

Reference	Version	Document	Lang.	Page	
	27-10-2020	Björk Baby Changing Station User Manual	EN-US	11 of 12	

EU Declaration of Conformity

DAN DRYER A/S
Alsikevej 8, DK-8920 Randers NV

Hereby declares that the following products:

BJÖRK Baby Changing Station

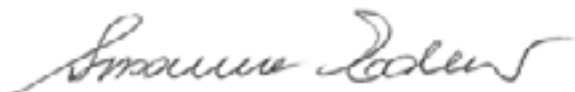
and variants in measurement according to the same design principle.

Item number: 32xx (xx defines surface treatment and paint colour)


Complies with the provisions of the following directives:

- European Parliament and Council Directive 2001/95/EC of 3 December 2001 on General Product Safety according to the following standard:
EN 12221-1 + A1 Changing units for domestic use - Part 1: Safety requirements
- European Parliament and Council Directive 2008/57/EC of 17 June 2008 (and its amendments) on the interoperability of the rail system within the European Union according to the Commission Regulation of 18 November 2014:

Randers 16/07/2018



Susanne Friis Eden
Managing Director

Reference	Version	Document	Lang.	Page	
	27-10-2020	Björk Baby Changing Station User Manual	EN-US	12 of 12	

US Compliant declaration

DAN DRYER A/S
Tåsingevej 2, 8940 Randers SV, Denmark

Hereby declares that the following products:

BJÖRK Baby Changing Station

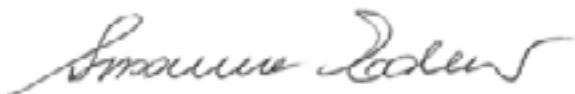
and variants in measurement according to the same design principle.
Item number: 32xx (xx defines surface treatment and paint colour)

Complies with the provisions of the following safety specification :

- ASTM F2285 - 04(2016)e1 Standard Consumer Safety Performance Specification for Diaper Changing Tables for Commercial Use.

Test report performed by SGS can be submitted on request.

Randers 20/05/2021



Susanne Friis Eden
Managing Director